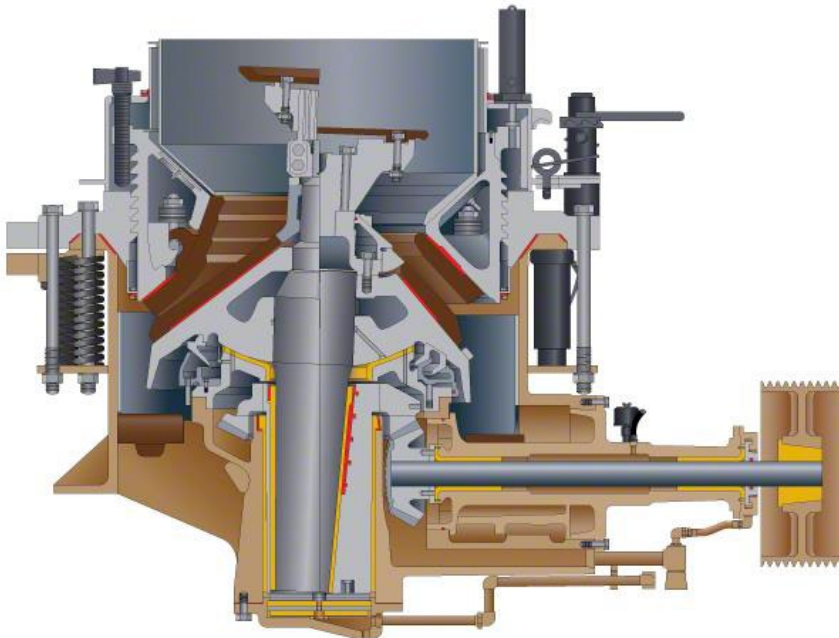


## Midsouth Machine Holds Onsite Crusher Repair Training

Midsouth Machine & Service Company hosted a three day training course for cone crusher repair and rebuild, which was conducted by Excel Foundry & Machine in Pekin, Illinois. Excel is a manufacturer of premium high performance replacement parts for the mining and aggregate industries and a part of FLSmidth Corp.

The training stressed safety, maintenance, troubleshooting and the latest repair techniques. It was well attended and received by the MMS team.

MMS is committed to continuous improvement. For more than 30 years they have provided industry-leading rebuild and repair services for mining and aggregate production equipment. They work on nearly every make, model and type across America.



The picture above is a cut away illustrating the components of a Symons style cone rock crusher.